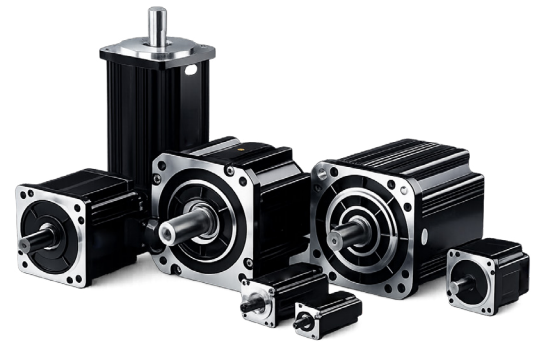


LVS



Technical Data

Frame Size : 40

Item Name	UM	LVS40-50-30S-24	LVS40-100-30S-24	LVS40-100-30S-48
Rated power	W	50	100	100
Rated voltage	V	24	24	48
Rated torque	Nm	0,16	0,32	0,32
Rated speed	RPM	3000	3000	3000
Rated current	Arms	2,8 ±10%	5 ±10%	2,7 ±10%
Torque coefficient	Nm/A	0,058 ±10%	0,071 ±10%	0,1 ±10%
Rotor Moment of inertia	kg.cm ² x10 ⁻⁴	0,033 ±10%	0,066 ±10%	0,066 ±10%
Line Back EMF	V/krpm	3,5 ±10%	4,3 ±10%	6,6 ±10%
Line Inductance	mH	0,8 ±10%	0,3 ±10%	1,3 ±10%
Line Resistance	Ω	0,72 ±10%	0,38 ±10%	1,27 ±10%
Motor length	mm	72	96(90)	96(90)
Motor length with brake	mm	100	114(109)	114(109)
Number of Poles		10	10	10
Weight	KG	0,45/0,68	0,57/0,8	0,57/0,8
Feedback Component		Incremental Encoder, 2500PPR/Singe turn absolute 17 bits / Resolver / Hall sensors		
Insulation Resistance	M Ω	DC500V, >20 M Ω(F)		
Environnemental conditions		Ambient Temperature: -20-45°C, Ambient Humidity: 20-80% No Condensation		
Protection rank		IP54/IP65		

Frame Size : 60

Item Name	UM	LVS60-200-30S-24	LVS60-200-30S-48	LVS60-400-30S-24	LVS60-400-30S-48
Rated power	W	200	200	400	400
Rated voltage	V	24	48	24	48
Rated torque	Nm	0,64	0,64	1,27	1,27
Rated speed	RPM	3000	3000	3000	3000
Rated current	Arms	11 ±10%	5,2 ±10%	21 ±10%	11 ±10%
Torque coefficient	Nm/A	0,6 ±10%	0,12 ±10%	0,06 ±10%	0,12 ±10%
Rotor Moment of inertia	kg.cm ² x10 ⁻⁴	0,3 ±10%	0,3 ±10%	0,58 ±10%	0,58 ±10%
Line Back EMF	V/krpm	3,7 ±10%	7,5 ±10%	3,7 ±10%	7,5 ±10%
Line Inductance	mH	0,19 ±10%	0,12 ±10%	0,17 ±10%	0,56 ±10%
Line Resistance	Ω	0,11 ±10%	0,44±10%	0,07 ±10%	0,27 ±10%
Motor length	mm	89(77)	89(77)	108(98)	108(98)
Motor length with brake	mm	127(118)	127(118)	146(136)	146(136)
Number of Poles		10	10	10	10
Weight	KG	1/1,35	1/1,35	1,35/1,75	1,35/1,75
Feedback Component		Incremental Encoder, 2500PPR/Singe turn absolute 17 bits / Resolver / Hall sensors			
Insulation Resistance	M Ω	DC500V, >20 M Ω(F)			
Environnemental conditions		Ambient Temperature: -20-45°C, Ambient Humidity: 20-80% No Condensation			
Protection rank		IP54/IP65			

Frame Size : 60

Item Name	UM	LVS60-600-30S-24	LVS60-600-30S-48	LVS60-600-30S-72
Rated power	W	600	600	600
Rated voltage	V	24	48	72
Rated torque	Nm	1,91	1,91	1,91
Rated speed	RPM	3000	3000	3000
Rated current	Arms	31 ±10%	15,5 ±10%	11±10%
Torque coefficient	Nm/A	0,6 ±10%	0,12 ±10%	0,18±10%
Rotor Moment of inertia	kg.cm ² x10 ⁻⁴	0,85 ±10%	0,85 ±10%	0,85 ±10%
Line Back EMF	V/krpm	3,7 ±10%	7,5 ±10%	11 ±10%
Line Inductance	mH	±10%	0,4 ±10%	±10%
Line Resistance	Ω	±10%	0,17±10%	±10%
Motor length	mm	127(119)	127(119)	127(119)
Motor length with brake	mm	174(165)	163 [153]	163(153)
Number of Poles		10	10	10
Weight	KG	1,75/2,15	1,75/2,15	1,75/2,15
Feedback Component		Incremental Encoder, 2500PPR/Singe turn absolute 17 bits / Resolver / Hall sensors		
Insulation Resistance	M Ω	DC500V, >20 M Ω[F]		
Environnemental conditions		Ambient Temperature: -20-45°C, Ambient Humidity: 20-80% No Condensation		
Protection rank		IP54/IP65		

Frame Size : 80

Item Name	UM	LVS80-750-30S-24	LVS80-750-30S-48	LVS80-750-30S-72	LVS80-1000-30S-48	LVS80-1000-30S-72
Rated power	W	750	750	750	1000	1000
Rated voltage	V	24	48	72	48	72
Rated torque	Nm	2,4	2,4	2,4	3,2	3,2
Rated speed	RPM	3000	3000	3000	3000	3000
Rated current	Arms	38 ±10%	19,5 ±10%	13 ±10%	26 ±10%	17 ±10%
Torque coefficient	Nm/A	0,06 ±10%	0,12 ±10%	0,18 ±10%	0,12 ±10%	0,18 ±10%
Rotor Moment of inertia	kg.cm ² x10 ⁻⁴	1,7 ±10%	1,7 ±10%	1,7 ±10%	2,3 ±10%	2,3 ±10%
Line Back EMF	V/krpm	3,7 ±10%	7,5 ±10%	11 ±10%	7,5 ±10%	11 ±10%
Line Inductance	mH	0,12 ±10%	0,24 ±10%	±10%	0,2±10%	±10%
Line Resistance	Ω	0,0138 ±10%	0,08±10%	±10%	0,05 ±10%	±10%
Motor length	mm	134(161)	120(107)	120(107)	134(121)	134(121)
Motor length with brake	mm	184(161)	160(147)	160(147)	174(161)	174(161)
Number of Poles		10	10	10	10	10
Weight	KG	2,95/3,6	2,3/3,05	2,3/3,05	2,95/3,6	2,95/3,6
Feedback Component		Incremental Encoder, 2500PPR/Singe turn absolute 17 bits / Resolver / Hall sensors				
Insulation Resistance	M Ω	DC500V, >20 M Ω[F]				
Environnemental conditions		Ambient Temperature: -20-45°C, Ambient Humidity: 20-80% No Condensation				
Protection rank		IP54/IP65				

Frame Size : 80

Item Name	UM	LVS80-400-30S-48	LVS80-400-30S-72	LVS80-750-30S-48	LVS80-750-30S-72	LVS80-1000-30S-48
Rated power	W	400	400	750	750	1000
Rated voltage	V	48	72	48	72	48
Rated torque	Nm	1,3	1,27	2,4	2,4	3,2
Rated speed	RPM	3000	3000	3000	3000	3000
Rated current	Arms	10 ±10%	6,5 ±10%	19 ±10%	12 ±10%	25 ±10%
Torque coefficient	Nm/A	0,13 ±10%	0,19 ±10%	0,12 ±10%	0,20 ±10%	0,12 ±10%
Rotor Moment of inertia	kg.cm ² x10 ⁻⁴	1,8 ±10%	1,8 ±10%	1,8 ±10%	1,8 ±10%	2,25 ±10%
Line Back EMF	V/krpm	7,82 ±10%	11,9 ±10%	7,7 ±10%	12,1 ±10%	7,65 ±10%
Line Inductance	mH	0,12 ±10%	0,12 ±10%	0,135 ±10%	0,135 ±10%	0,112 ±10%
Line Resistance	Ω	0,0138 ±10%	0,0138 ±10%	0,119 ±10%	0,119 ±10%	0,091 ±10%
Motor length	mm	76	82	92	92	107
Motor length with brake	mm	116	122	132	132	147
Number of Poles		20	20	20	20	20
Weight	KG	2,3/2,9	2,3/2,9	2,3/2,9	2,3/2,9	2,3/2,9
Feedback Component		Incremental Encoder, 2500PPR/Singe turn absolute 17 bits / Resolver / Hall sensors				
Insulation Resistance	M Ω	DC500V, >20 M Ω(F)				
Environnemental conditions		Ambient Temperature: -20-45°C, Ambient Humidity: 20-80% No Condensation				

Frame Size : 80

Item Name	UM	LVS80-1000-30S-72	LVS80-1250-30S-48	LVS80-1250-30S-72	LVS80-1500-30S-48	LVS80-1500-30S-72
Rated power	W	1000	1250	1250	1500	1500
Rated voltage	V	72	48	72	48	72
Rated torque	Nm	3,2	4	4	4,8	4,8
Rated speed	RPM	3000	3000	3000	3000	3000
Rated current	Arms	16,5 ±10%	31,5 ±10%	21 ±10%	37,5 ±10%	24 ±10%
Torque coefficient	Nm/A	0,19 ±10%	0,12 ±10%	0,19 ±10%	0,12 ±10%	0,20 ±10%
Rotor Moment of inertia	kg.cm ² x10 ⁻⁴	2,25 ±10%	2,25 ±10%	2,25 ±10%	2,5 ±10%	2,5 ±10%
Line Back EMF	V/krpm	11,6 ±10%	7,65 ±10%	11,6 ±10%	7,7 ±10%	12,1 ±10%
Line Inductance	mH	0,112 ±10%	0,098 ±10%	0,098 ±10%	0,06±10%	0,06 ±10%
Line Resistance	Ω	0,091 ±10%	0,083 ±10%	0,083 ±10%	0,045 ±10%	0,045 ±10%
Motor length	mm	107	107	107	121	121
Motor length with brake	mm	147	147	147	-	-
Number of Poles		20	20	20	20	20
Weight	KG	2,3/2,9	2,3/2,9	2,3/2,9	2,95	2,95
Feedback Component		Incremental Encoder, 2500PPR/Singe turn absolute 17 bits / Resolver / Hall sensors				
Insulation Resistance	M Ω	DC500V, >20 M Ω(F)				
Environnemental conditions		Ambient Temperature: -20-45°C, Ambient Humidity: 20-80% No Condensation				
Protection rank		IP54/IP65				

Frame Size : 110

Item Name	UM	LVS110-1100-30S-24	LVS110-1250-30S-48	LVS110-1250-30S-72	LVS110-1050-20S-48
Rated power	W	1100	1250	1250	1050
Rated voltage	V	24	48	72	48
Rated torque	Nm	3,6	4	4	5
Rated speed	RPM	3000	3000	3000	2000
Rated current	Arms	56 ±10%	31 ±10%	21 ±10%	26 ±10%
Torque coefficient	Nm/A	0,06 ±10%	0,12 ±10%	0,19 ±10%	0,19 ±10%
Rotor Moment of inertia	kg.cm ² x10 ⁻⁴	7,7 ±10%	7,7 ±10%	7,7 ±10%	7,7 ±10%
Line Back EMF	V/krpm	3,9 ±10%	7,8 ±10%	11,7 ±10%	11,7 ±10%
Line Inductance	mH	±10%	±10%	±10%	±10%
Line Resistance	Ω	±10%	±10%	±10%	±10%
Motor length	mm	147	147	147	162
Motor length with brake	mm	181	181	181	196
Number of Poles		10	10	10	10
Weight	KG	4,7/7	4,7/7	4,7/7	6,5/7,3
Feedback Component		Incremental Encoder, 2500PPR/Singe turn absolute 17 bits / Resolver / Hall sensors			
Insulation Resistance	M Ω	DC500V, >20 M Ω[F]			
Environnemental conditions		Ambient Temperature: -20-45°C, Ambient Humidity: 20-80% No Condensation			

Frame Size : 110

Item Name	UM	LVS110-1050-20S-72	LVS110-1550-30S-24	LVS110-1550-30S-48	LVS110-1550-30S-72
Rated power	W	1050	1550	1550	1550
Rated voltage	V	72	24	48	72
Rated torque	Nm	5	5	5	5
Rated speed	RPM	2000	3000	3000	3000
Rated current	Arms	18 ±10%	77,5 ±10%	39 ±10%	26 ±10%
Torque coefficient	Nm/A	0,28 ±10%	0,06 ±10%	0,129 ±10%	0,19 ±10%
Rotor Moment of inertia	kg.cm ² x10 ⁻⁴	7,7 ±10%	7,7 ±10%	7,7 ±10%	7,7 ±10%
Line Back EMF	V/krpm	16,9 ±10%	3,9 ±10%	7,8 ±10%	11,7 ±10%
Line Inductance	mH	±10%	0,032 ±10%	±10%	±10%
Line Resistance	Ω	±10%	0,003 ±10%	±10%	±10%
Motor length	mm	162	162	162	162
Motor length with brake	mm	196	196	196	196
Number of Poles		10	10	10	10
Weight	KG	6,5/7,3	6,5/7,3	6,5/7,3	6,5/7,3
Feedback Component		Incremental Encoder, 2500PPR/Singe turn absolute 17 bits / Resolver / Hall sensors			
Insulation Resistance	M Ω	DC500V, >20 M Ω[F]			
Environnemental conditions		Ambient Temperature: -20-45°C, Ambient Humidity: 20-80% No Condensation			
Protection rank		IP54/IP65			

Frame Size : 110

Item Name	UM	LVS110-1250-20S-48	LVS110-1250-20S-72	LVS110-1880-30S-48	LVS110-1880-30S-72
Rated power	W	1250	1250	1880	1880
Rated voltage	V	48	72	48	72
Rated torque	Nm	6	6	6	6
Rated speed	RPM	2000	2000	3000	3000
Rated current	Arms	31 ±10%	22 ±10%	46,5 ±10%	31 ±10%
Torque coefficient	Nm/A	0,19 ±10%	0,27 ±10%	0,128 ±10%	0,19 ±10%
Rotor Moment of inertia	kg.cm ² x10 ⁻⁴	10,9 ±10%	10,9 ±10%	10,9 ±10%	10,9 ±10%
Line Back EMF	V/krpm	11,6 ±10%	16,5 ±10%	7,7 ±10%	11,6 ±10%
Line Inductance	mH	±10%	±10%	±10%	±10%
Line Resistance	Ω	±10%	±10%	±10%	±10%
Motor length	mm	162	162	162	162
Motor length with brake	mm	196	196	196	196
Number of Poles		10	10	10	10
Weight	KG	6,5/7,3	6,5/7,3	6,5/7,3	6,5/7,3
Feedback Component		Incremental Encoder, 2500PPR/Singe turn absolute 17 bits / Resolver / Hall sensors			
Insulation Resistance	M Ω	DC500V, >20 M Ω[F]			
Environnemental conditions		Ambient Temperature: -20-45°C, Ambient Humidity: 20-80% No Condensation			

Frame Size : 110

Item Name	UM	LVS110-1570-20S-48	LVS100-1570-20S-72	LVS110-2350-30S-48	LVS110-2350-30S-72
Rated power	W	1570	1570	2350	2350
Rated voltage	V	48	72	48	72
Rated torque	Nm	7,5	7,5	7,5	7,5
Rated speed	RPM	2000	2000	3000	3000
Rated current	Arms	39 ±10%	28 ±10%	59 ±10%	39 ±10%
Torque coefficient	Nm/A	0,19 ±10%	0,27 ±10%	0,128 ±10%	0,19 ±10%
Rotor Moment of inertia	kg.cm ² x10 ⁻⁴	10,9 ±10%	10,9 ±10%	10,9 ±10%	10,9 ±10%
Line Back EMF	V/krpm	11,6 ±10%	16,5 ±10%	7,7 ±10%	11,6 ±10%
Line Inductance	mH	±10%	±10%	±10%	±10%
Line Resistance	Ω	±10%	±10%	±10%	±10%
Motor length	mm	162	162	162	162
Motor length with brake	mm	196	196	196	196
Number of Poles		10	10	10	10
Weight	KG	6,5/7,3	6,5/7,3	6,5/7,3	6,5/7,3
Feedback Component		Incremental Encoder, 2500PPR/Singe turn absolute 17 bits / Resolver / Hall sensors			
Insulation Resistance	M Ω	DC500V, >20 M Ω[F]			
Environnemental conditions		Ambient Temperature: -20-45°C, Ambient Humidity: 20-80% No Condensation			
Protection rank		IP54/IP65			

Frame Size : 130

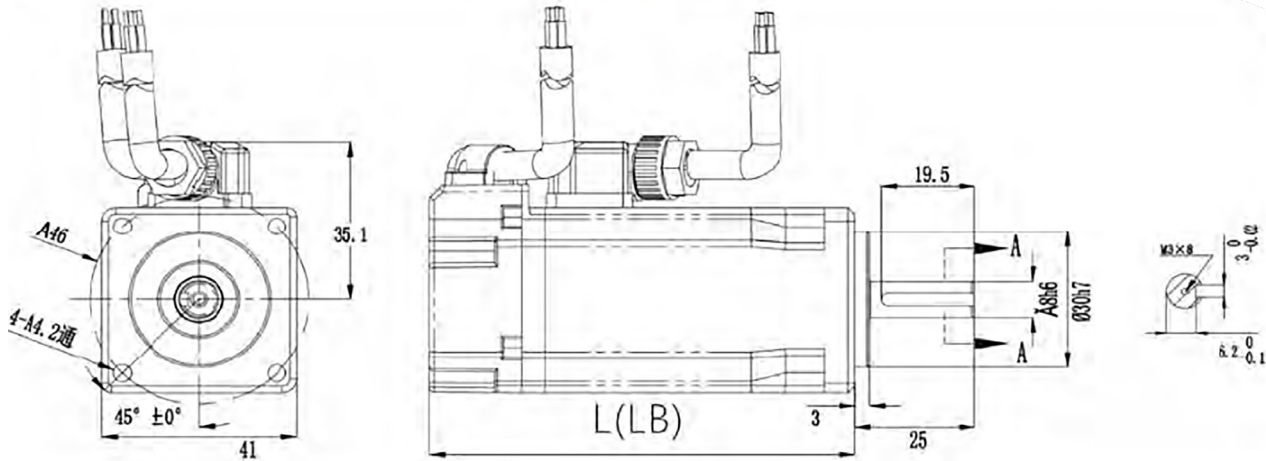
Item Name	UM	LVS130-1050-20S-48	LVS130-1550-30S-24	LVS130-1550-30S-48	LVS130-1550-30S-72
Rated power	W	1050	1550	1550	1550
Rated voltage	V	48	24	48	72
Rated torque	Nm	5	5	5	5
Rated speed	RPM	2000	3000	3000	3000
Rated current	Arms	26 ±10%	77,5 ±10%	39 ±10%	26 ±10%
Torque coefficient	Nm/A	0,19 ±10%	0,06 ±10%	0,12 ±10%	0,19 ±10%
Rotor Moment of inertia	kg.cm ² x10 ⁻⁴	12,9 ±10%	12,9 ±10%	12,9 ±10%	12,9 ±10%
Line Back EMF	V/krpm	11,7 ±10%	3,9 ±10%	7,8 ±10%	11,7 ±10%
Line Inductance	mH	±10%	±10%	0,067 ±10%	±10%
Line Resistance	Ω	±10%	±10%	0,028 ±10%	±10%
Motor length	mm	142	142	142	142
Motor length with brake	mm	174	174	174	174
		10	10	10	10
Weight	KG	6/7,8	6/7,8	6/7,8	6/7,8
Feedback Component		Incremental Encoder, 2500PPR/Singe turn absolute 17 bits / Resolver / Hall sensors			
Insulation Resistance	M Ω	DC500V, >20 M Ω[F]			
Environnemental conditions		Ambient Temperature: -20-45°C, Ambient Humidity: 20-80% No Condensation			

Frame Size : 130

Item Name	UM	LVS130-2350-30S-24	LVS130-1570-20S-48	LVS130-1570-20S-72	LVS130-2350-20S-48
Rated power	W	2350	1570	1570	2350
Rated voltage	V	24	48	72	48
Rated torque	Nm	7,5	7,5	7,5	7,5
Rated speed	RPM	3000	2000	2000	2000
Rated current	Arms	113 ±10%	39 ±10%	27,5 ±10%	59 ±10%
Torque coefficient	Nm/A	0,066 ±10%	0,19 ±10%	0,27 ±10%	0,12 ±10%
Rotor Moment of inertia	kg.cm ² x10 ⁻⁴	12,9 ±10%	12,9 ±10%	12,9 ±10%	7,7 ±10%
Line Back EMF	V/krpm	4 ±10%	11,6 ±10%	16,5 ±10%	0,174 ±10%
Line Inductance	mH	±10%	±10%	±10%	0,04 ±10%
Line Resistance	Ω	±10%	±10%	±10%	±10%
Motor length	mm	142	142	142	142
Motor length with brake	mm	189	189	189	189
Number of Poles		10	10	10	10
Weight	KG	8/9,8	8/9,8	8/9,8	8/9,8
Feedback Component		Incremental Encoder, 2500PPR/Singe turn absolute 17 bits / Resolver / Hal sensors			
Insulation Resistance	M Ω	DC500V, >20 M Ω[F]			
Environnemental conditions		Ambient Temperature: -20-45°C, Ambient Humidity: 20-80% No Condensation			
Protection rank		IP54/IP65			

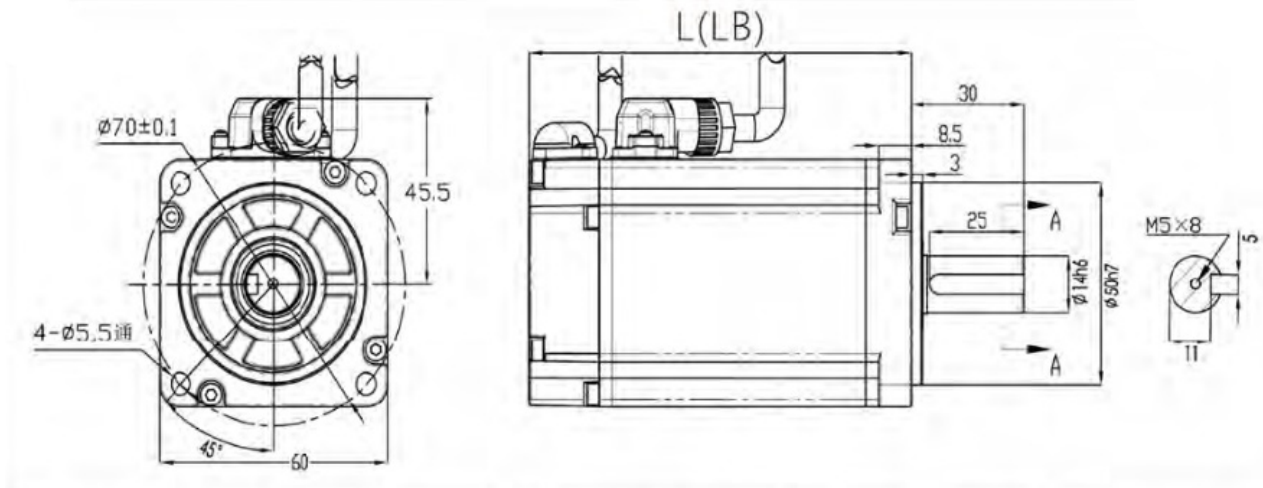
Motor Drawings

Frame Size : 40



Item Name	LVS40-50-30S-24	LVS40-100-30S-24 LVS40-100-30S-48
L (mm)	72	88
LB (with brake) mm	100	116
Weight (Kg)	0,45/0,65	0,57/0,8

Frame Size : 60

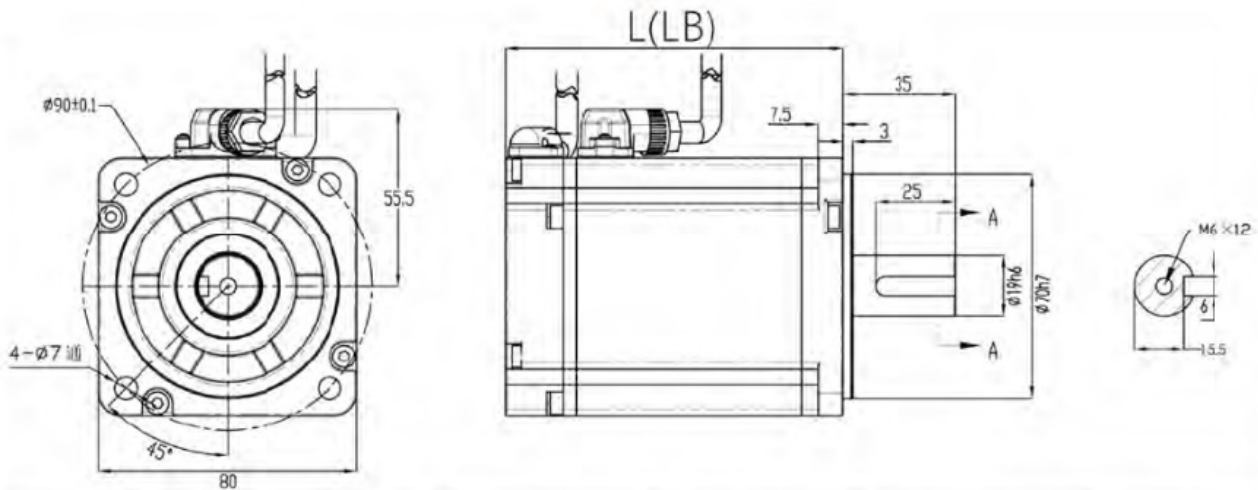


Item Name	LVS60-200-30S-24 LVS60-200-30S-48	LVS60-200-30S-48 LVS60-200-30S-48	LVS60-200-30S-48	LVS60-200-30S-48 LVS60-200-30S-48
L (mm)	89(77)	108(98)	125(115)	137(128)
LB (with brake) mm	127(116)	146(135)	163(153)	174(165)
Weight (Kg)	1/1,35	1,35/1,75	1,75/2,15	1,75/2,15

Dimensions in mm

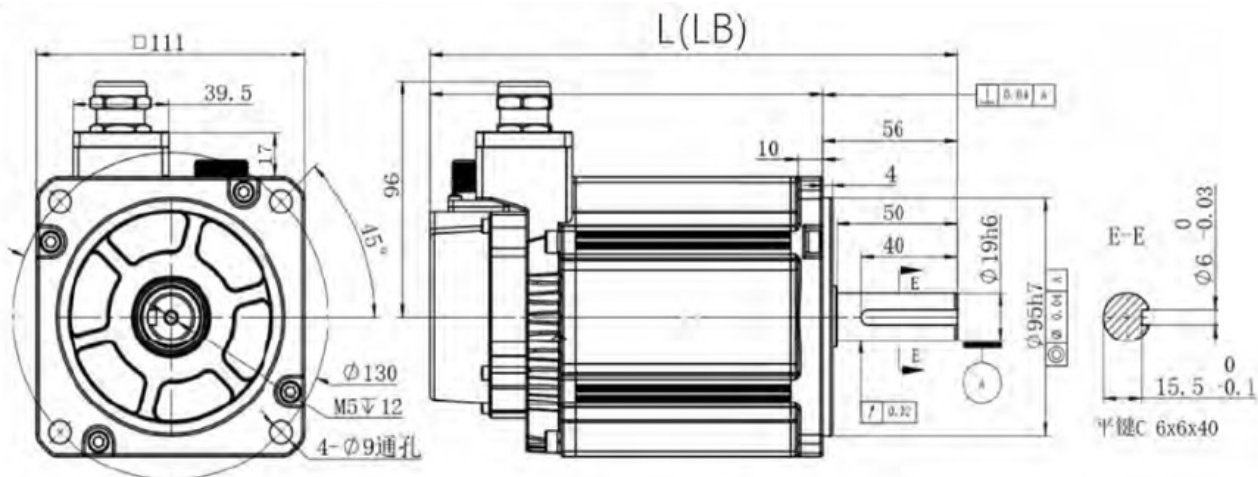
Motor Drawings

Frame Size : 80



L [mm]	66	76	86(120)	101(134)	115
LB [with brake] mm	101	101	115(160)	141(174)	155
Weight [Kg]	1,1/1,9	1,8/2,6	1,8/2,6	2,3/3	2,85/3,7

Frame Size : 110

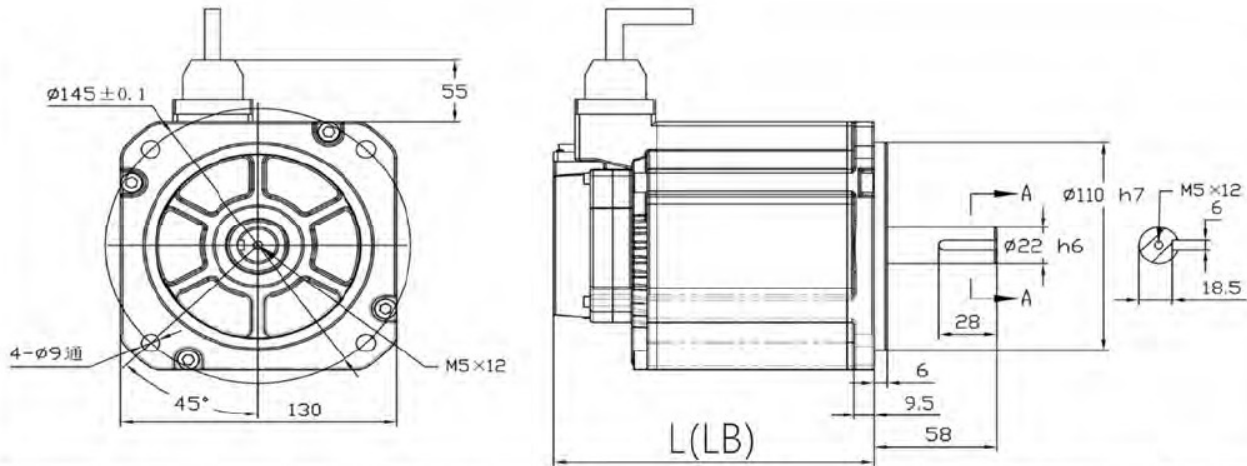


L [mm]	134(147)	164(162)	201
LB [with brake] mm	179(181)	201(196)	/
Weight [Kg]	4,14/6,25	6,36/8,47	8,5

Dimensions in mm

Motor Drawings

Frame Size : 130



L [mm]	127	142	142	157	174	204	204	259
LB [with brake] mm	174	174	189	204	229	259	259	/
Weight [Kg]	5/6,8	6/7,8	8/9,8	8/9,8	11/12,8	14/15,8	14/15,8	15,8

Part Number

LVS60-200-30S-24/N-E

1

2

3

4

5

6

- 1 Frame size
40
60
80
...
- 2 Power
200W
400W
...
- 3 Nominal Speed
30 = 3000 rpm
- 4 Nominal Voltage
24Vdc
48Vdc
...
- 5 Options
N= No brake
B= With brake
- 6 Feedback
E=2500ppr enc
H=Hall
A=17bits Absolutue
single turn
R=Resolver